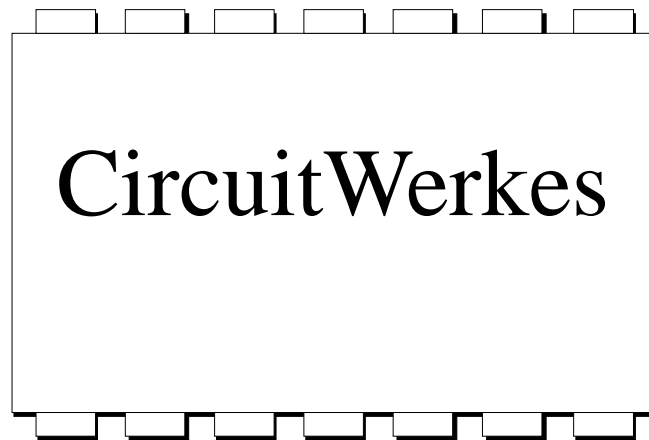


DS-8a

Touchtone[®] Sequence Decoder



Technical Manual

CircuitWerkes

3716 SW 3rd Place · Gainesville, FL 32607
(352) 335-6555 · Fax (352) 330-0230

© 1998-1999 CircuitWerkes All Rights Reserved. All information contained within is proprietary.
No part of this manual may be reproduced or copied without the express written consent of CircuitWerkes.

Touchtone[®] is a registered trademark of AT&T.

THANKS for buying the CircuitWerkes DS-8a. We are sure the DS-8a will give you years of faithful service. If you have comments, praise, questions or suggestions for improvement about this or any other CircuitWerkes product please call us at (352) 335-6555 or email us at info@circuitwerkes.com . We strive to constantly improve our products and that includes the technical manuals. Changes and updates are continuously made to our manuals. The latest copies of our technical manuals and product info on all our problem solving boxes can be found on our Internet web site at <http://www.circuitwerkes.com> or our mirror site at www.afn.org/~cwerkes/

Thank you for buying CircuitWerkes products. We appreciate your business!

PLEASE NOTE: Your unit may have been equipped with an audible tone annunciator (beeper) that activates whenever the status LED lights up. This feature is particularly handy when changing the relay codes as described on page 5 of this manual. In any case, if your DS-8a happens to beep when you power it up, don't be alarmed.

These beeps will normally occur only when you are changing the programming of your DS-8a; however, if you find the beeps annoying, just open up the box and remove the "buzz enable" jumper, J1, located beside U1, the largest chip on the board.

The CircuitWerkes DS-8a DTMF Sequence Decoder

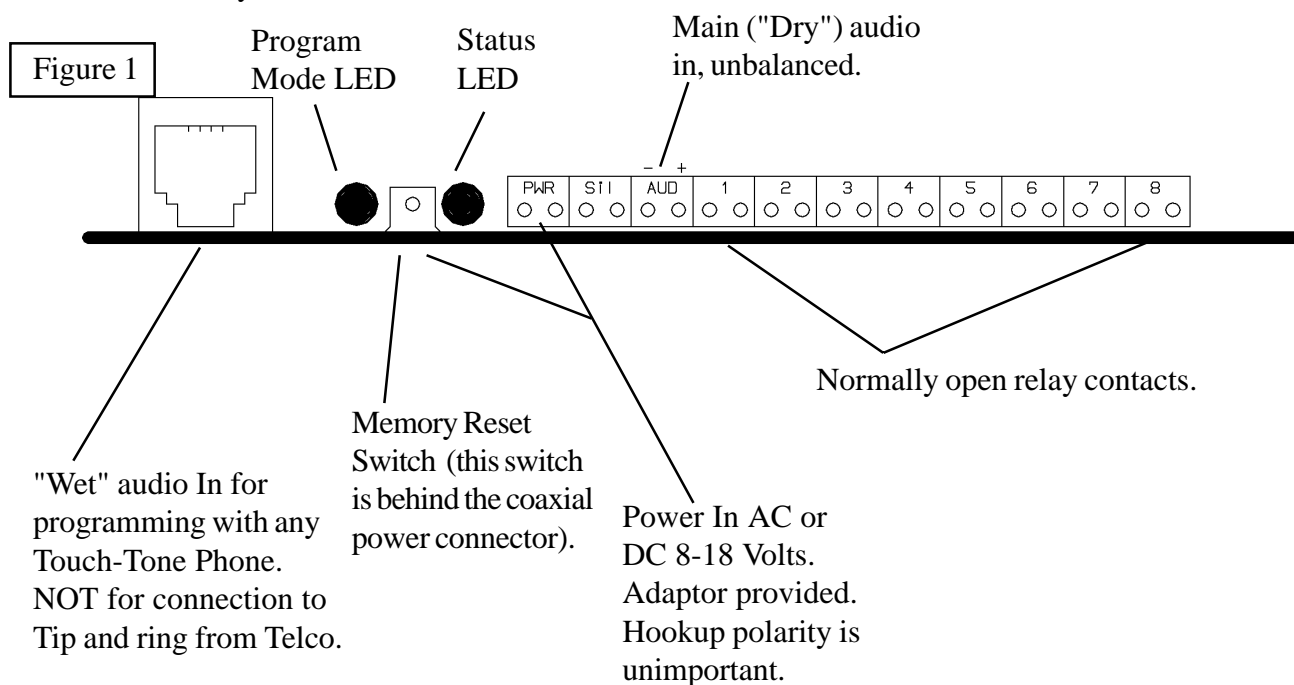
Description

The CircuitWerkes DS-8a is a second generation, smart, DTMF sequence decoder that has eight independently programmed relay outputs. It comes factory set to provide momentary closures on seven relays and one in latching mode. Each relay having its own code(s) corresponding to popular network cueing/automation sequences. The setup information for each relay is stored in non-volatile memory, and is easily changed with a DTMF tone encoder or any Touch-Tone phone.

Installation

The DS-8a is very easy to install. The metal case can be wall mounted with two screws, set on a flat surface, or be rack-mounted with the optional rack-mount kit.

The connector layout for the DS-8a is shown below.



Power is applied to the first two screw terminals or to the coaxial "barrel" connector. The power inputs are in parallel, so power may be applied to either of them, but not both. Power may be either AC or DC. The normal audio input for the DS-8a is unbalanced on the third and fourth screw terminals. The DTMF input range is -15dBm to +6dBm. The RJ-11 jack is for programming the DS-8a with a generic Touch-Tone telephone. This connection provides power to operate the DTMF circuitry in the phone. Except for the RJ-11 being a wet (DC powered) jack for powering a telephone instrument, it is essentially in parallel with the main audio input; all DS-8a functions can be programmed or accessed from either audio connection. **DO NOT ATTACH** this device to a live telephone line. Your local Telco will be unhappy and you will probably blow up the onboard power circuitry, ac signal limiting, and who knows what else. Plugging the unit into a Telco line voids the two year limited warranty. The terminals marked Sil Out are for the Silencer option that removes DTMF tones from your audio path. If your DS-8a has a Silencer, its instructions are at the end of this manual.

The power requirement from the provided 12v supply (with no relays energized) is approximately 10mA; each energized relay adds about 10mA to the load. With all relays latched the unit will draw less than 100mA. The relay closures are rated at 10 watts each. If you need to switch line voltages we heartily recommend slaving big fat relays made for that purpose, in a protected enclosure. Safety first.

Operation

Once the installation is complete and you've energized power, the status led will blink with the number of the firmware revision letting you know the unit is ready to operate. The front panel has an LED for power and another LED for DTMF detection. The power LED should be on whenever the DS-8a is energized. The DTMF LED should come on whenever a DTMF tone is detected. The stock (default) codes and modes for each relay are shown in figure 2 below.

Figure 2

Relay #	Mode	Digits	ON code	Off Code
1	M	4	048*	N/A
2	M	4	048#	N/A
3	M	4	635*	N/A
4	M	4	635#	N/A
5	M	1	1	N/A
6	M	1	3	N/A
7	M	1	5	N/A
8	L	3	*12	#12

MODES:

The operation of each relay is described by the relay's mode. Although the default codes MOSTLY specify momentary relay action, any relay can be set up for any one of the following modes.

- M = Momentary. When the DS-8a receives the ON code the relay contacts close for approximately 200milliseconds. A single code operates this mode.
- L = Latching. When the DS-8aa receives the ON code the relay contacts close and stay closed until the OFF code is received.
- XL = (Interlocked or Exclusive Latching)- All relays set up as XL type are just like normal latching (as described above) except that they are exclusive to each other. If a type XL relay is ON and another type XL relay is subsequently turned ON, the previously energized XL-type is automatically turned off. Regardless of how many of the relays are set up as type XL, only one type XL will be on at one time. The OFF code for the energized relay still works too.
- D = Disabled. This relay type does not respond to any incoming codes.

DIGITS

Each relay can be independently set-up for 1, 2, 3, or 4 digit code length, regardless of the relay's mode. All sixteen standard DTMF digits are valid digits.

